



## LED T5HO : LINE VOLTAGE : DOUBLE-ENDED

### DESCRIPTION

LED T5HO Ballast Bypass/Line Voltage Replacement Lamps directly replace 4' fluorescent T5HO lamps at a fraction of the energy cost.

### FEATURES

- Solid state replacement for 4 ft. T5 linear fluorescent
- Double-end powered, operates on line voltage
- Frosted lens for uniform diffuse appearance
- No external ballast or driver required
- Ultra-high performance LEDs deliver 132 lpw
- Up to 50% instant energy savings
- Existing fixture maintains original UL compliance per UL1598C listing
- Suitable for use in totally enclosed fixtures
- Integral drivers provide easy installation
- Use with T5 lamp holders
- Non-dimmable

### WARRANTY

- 5 year limited warranty; see eiko.com for warranty details

### APPLICATIONS

- Commercial
- Industrial
- Hospitality
- Education
- Healthcare
- Retail



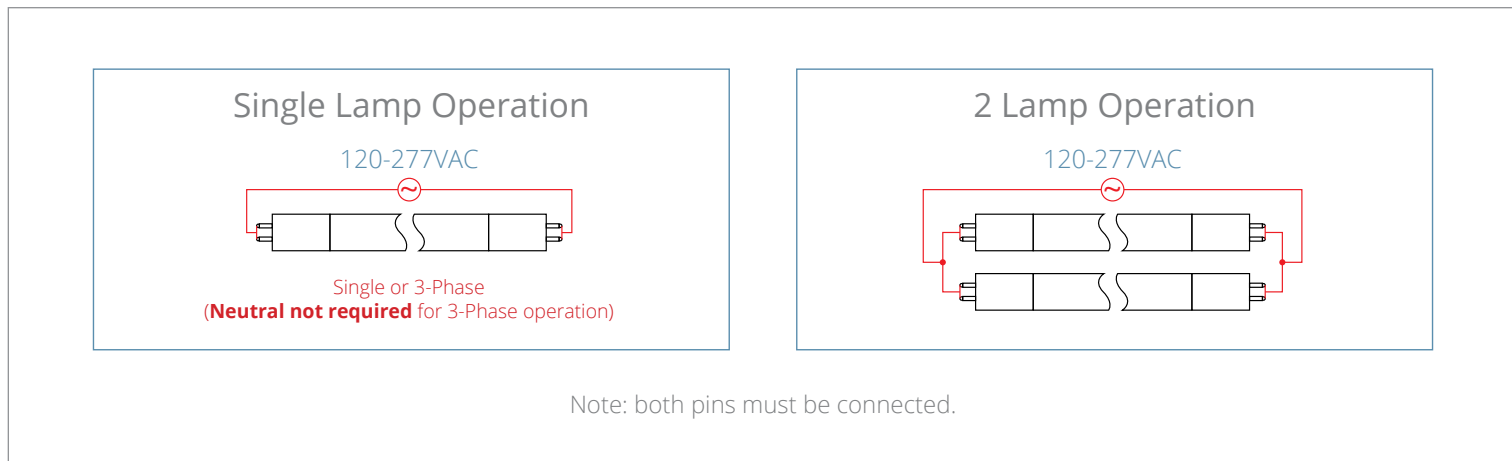
<b>PERFORMANCE</b>	Power Consumption	25W
	Lumens	3,300/3,375/3,500
	Efficacy (LPW)	132/135/140
	CRI	80+
	CCT	3500K, 4000K, 5000K
	Life (L70)	50,000 hours
<b>ELECTRICAL</b>	Power Factor	≥0.9
	THD	<20%
	Input Voltage	120-277V; 277-347V
<b>CONSTRUCTION</b>	Operating Temperature	-4°F to 113°F (-20°C to +45°C)
	Lens	Frosted
	Base	G5
<b>LISTINGS</b>	Certification(s)	DesignLights Consortium® Qualified; NSF Listed; cULus Classified; FCC
	Material Usage	
	Environment	

## PERFORMANCE SUMMARY

Order Code	Item #	Length	Lumens	Watts	LPW	Volts	CCT	CRI	Envelope	Life/Hours	DLC
09949	LED25WT5HO/46/835-G8D	4'	3,300	25W	132	120-277V	3500K	80+	Glass	50,000	✓
09947	LED25WT5HO/46/840-G8D	4'	3,500	25W	140	120-277V	4000K	80+	Glass	50,000	✓
09948	LED25WT5HO/46/850-G8D	4'	3,500	25W	140	120-277V	5000K	80+	Glass	50,000	✓
10047	LED25WT5HO/46/835-G8D-347V*	4'	3,375	25W	135	277-347V	3500K	80+	Glass	50,000	✓
10048	LED25WT5HO/46/840-G8D-347V*	4'	3,375	25W	135	277-347V	4000K	80+	Glass	50,000	✓
10049	LED25WT5HO/46/850-G8D-347V*	4'	3,375	25W	135	277-347V	5000K	80+	Glass	50,000	✓

NOTE: Use order code when ordering. \*Canada only. ✓DesignLights Consortium® Qualified

## DIMENSIONS



NSF offers the most accepted and trusted certification and verification programs for commercial foodservice equipment, specified by health departments, restaurant buyers and specifiers worldwide. NSF means market access – products with the NSF mark receive guaranteed regulatory acceptance in North America and improved acceptance worldwide. Verification programs, such as HACCP Compliance Verification - EU, demonstrate hygienic quality, independently verified by a trusted source.